

For Pedestal and Submersible Sump Pumps

*Do not throw away or lose this manual. Keep it with the installation and refer to it often.

Pedestal Models 1/3 hp

101 Cast Iron

Submersible Models 1/4 hp

240-Series...Cast Iron

- 240 Manual
- 241 Wide Angle Float
- 243 Wide-Angle Float w/Series Plug
- 247 Vertical Float

Submersible Models 1/3 hp

230-Series...Poly/Aluminum

- 230 Manual
- 231 Wide Angle Float
- 233 Wide-Angle Float w/series plug
- 237 Vertical Float

Submersible Models 1/2 hp

450-Series...Poly/Aluminum

- 450 Manual
- 451 Wide Angle Float
- 453 Wide-Angle Float w/series plug
- 457 Vertical Float



IMPORTANT:

Prior to installation, record Model, Serial Number, and Code Number from pump nameplate for future reference.

MODEL _____

SERIAL _____

CODE _____

INSTALLATION DATE _____



1. General Information – All Models

Before Installation, read the following instructions carefully. Each Liberty pump is individually factory tested to assure proper performance. By closely following these instructions, potential operating problems should be eliminated, providing years of trouble-free service.

WARNING

- **Risk of electric shock.** Always disconnect the pump from the power source before handling or making adjustments.
- The electrical connections and wiring for a pump installation should only be made by qualified personnel.
- This pump is supplied with a grounding conductor and grounding-type attachment plug. To reduce the risk of electric shock, be certain that it is connected only to a properly grounded, grounding-type 15 Amp receptacle.
- Always wear rubber boots when water is on the floor and you must unplug the pump.
- DO NOT bypass grounding wires or remove ground prong from attachment plugs.
- DO NOT use an extension cord.
- This pump requires a separate, properly fused and grounded branch circuit. Make sure the power source is properly sized for the voltage and amperage requirements of the pump, as noted on the nameplate.
- The electrical outlet shall be within the length limitations of the pump power cord, and at least 4 feet above floor level to minimize possible hazards from flood conditions.
- The installation must be in accordance with the National Electric Code, Uniform Plumbing Code, International Plumbing Code, as well as all applicable local codes and ordinances.
- Sump and sewage pumps often handle materials which could cause illness or disease. Wear adequate protective clothing when working on a used pump or piping.
- Never enter a pump basin after it has been used. Sewage and effluent can emit several gases which are poisonous.
- Keep clear of suction and discharge openings. To prevent injury, never insert fingers into pump while it is plugged in.
- DO NOT use this product for flammable or corrosive liquid.
- DO NOT use this product in applications where human contact with the pumped fluid is common (such as swimming pools, fountains, etc.)
- NEVER dispose of materials such as paint thinner or other chemicals down drains, as they can chemically attack and damage pump components, potentially causing product malfunction or failure.

CAUTION

- **DO NOT use pumps in water over 140°F (60°C).**
- DO NOT use pumps in mud, sand, cement, oil or chemicals.
- DO NOT modify the pump in any way.
- DO NOT lift or carry pump by power cord.
- DO NOT remove any tags from pump or cords.
- If pump is installed during construction before power is available, it must be protected from the environment to prevent water from entering through the cord plug end, etc.

Tools Required:

- Pipe wrench
- Regular screw driver
- Hacksaw (For replacement or removal of existing rigid piping.)

2. Sump Pit – All Models

1. A sump pit not less than 14" in diameter is recommended. On submersible pumps equipped with the vertical float (models 237 and 247), a minimum 10" diameter pit is acceptable. A larger diameter pit is preferred as it allows for longer pump cycling and reduced switch cycling. The depth of the pit should be at least 12" above the surface that the pump is resting on.
2. If the pit is not already enclosed on the bottom, provide a hard level bottom of bricks or concrete. DO NOT place the pump directly on earth, gravel or debris since this can cause excessive wear of the impeller and possible jamming. **"The Brick"** (sold by Liberty Pumps as part # 4445000) is a pre-molded stable platform designed to fit your submersible pump. It raises the pump 2.5" off the bottom of the pit, reducing the potential for jamming from rocks and debris. Contact your local distributor to order. Remove all debris from the bottom of the sump pit before installation of the pump. A sump pit cover is suggested for safety and to prevent foreign objects from entering the pit.

3. Installation of Pump – All Models

1. Removal of Old Pump:

⚠ WARNING Disconnect pump from power source before handling.

Separate the discharge pipe at either the check valve or at the union. If neither a check valve nor a union is part of the existing discharge pipe, cut the pipe with a hacksaw and remove the pump (A union or check valve will need to be installed at this cut).

***NOTE:** Pedestal pump model 101 requires assembly of the float, rod and guide. Snap the plastic guide into position with its pin located in the center hole on the column of the pump. Insert the threaded end of the float rod down through the hole in the guide and attach the float ball to the threaded end. Remove the upper rubber stop and insert the rod through the hole in the switch arm. Replace the upper rubber stop at least ½" from the end of the rod.

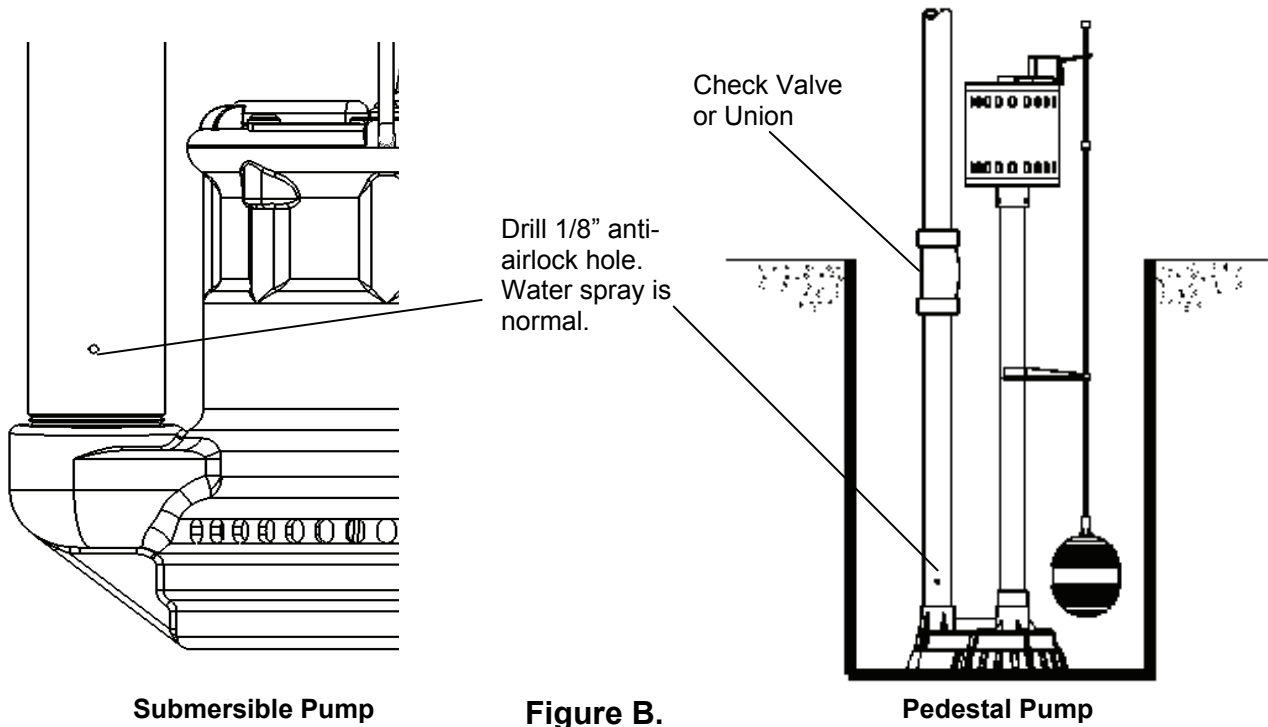
2. Set the new pump in place making sure the float switch has adequate clearance and will not hang-up on the pit wall. The float must be **free to move throughout its travel** and not contacting the pump body, piping, or other objects.
3. Depending on the model, either a 1-1/4" or 1-1/2" threaded discharge is provided on the pump for connection to the discharge pipe (See [Figure A](#) for the discharge size of your specific model). Do not reduce the discharge size to less than 1-1/4", as this will affect pump flow and performance. Schedule 40 PVC pipe is recommended; however, flexible discharge hose kits may be used for temporary installations.

MODEL	DISCHARGE SIZE
101	1-1/4"
230-Series	1-1/2"
240-Series	1-1/2"
450-Series	1-1/2"

Figure A.

4. Connect the pipe or the discharge hose to the discharge of the pump. **HAND TIGHTEN ONLY.** Overtightening may cause the pump housing to crack.

5. Install a union or other means of separating the discharge pipe just above the floor to facilitate removal of the pump if necessary. **A check valve is recommended just above or in place of the union to prevent the backflow of water after each pump cycle.**
6. If a check valve is used, a 1/8" anti-airlock hole should be drilled in the discharge pipe just above the pump's discharge outlet to prevent pump "airlock".



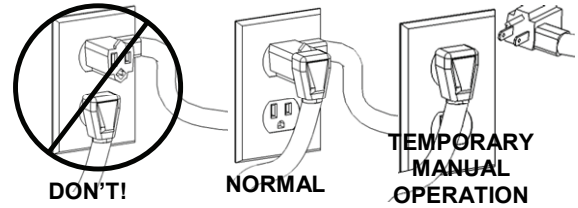
Is my pump air-locked? What is an anti-airlock hole?

Air-lock is a term used to describe when air gets trapped in the volute/impeller area of a pump and cannot escape due to the water column above the check valve on the discharge line. When the pit fills with water and the pump is called to activate, the impeller spins in this pocket of air and cannot prime. "My pump runs, but does not pump anything" is the symptom when this happens. An anti-airlock hole allows this trapped air to escape, allowing the pump to prime and start pumping.

Liberty provides an integral anti-airlock hole in the volute housing of submersible pumps. Water spray from this hole is normal while the pump is in operation. Bleeding off the air could take from several seconds to more than a minute once the pump starts. To speed or assist with air bleed in the event of airlock, the addition of a 1/8" hole in the discharge pipe is recommended. This hole should be no more than 1/8" diameter and drilled low on the pipe – just above the threaded connection to the pump discharge. See Figure B above.

7. Connect additional pipe as necessary to direct the discharge to the desired location. Discharge should be kept as short as possible with a minimum number of turns. Check all connections for security.
8. For added protection, consider the addition of a back-up pump such as **Liberty's SJ10 SumpJet**, as well as an alarm such as **Liberty's ALM-2** in applications where loss of pump function could result in property damage. If an alarm is used, it must be connected to a separate electrical circuit.

9. **Models 243, 233, and 453** come factory-equipped with a float switch mounted to the pump. This model has two cords - one to the float switch and the other to the pump motor. The switch cord has a series (piggyback) plug enabling the pump (motor) cord to be plugged into the back of it (see Fig. at right). The purpose of this design is to allow temporary manual operation of the pump if desired.



10. **For manual submersible models:** Manual (switchless) models may be operated by directly plugging into an approved electrical outlet. To prevent excessive seal wear and overheating, pumps should not be run dry for extended periods of time. A minimum 4-1/2" water level is recommended. If manual models are to be used with an optional control device, follow the instructions provided with that control and make power connections per those instructions. Set the turn-off level at 4-1/2" or greater.

4. Trouble-Shooting

⚠ WARNING Always disconnect the pump from power source before handling. This guide is designed to help identify reasons for potential operating problems. It is not a service guide. **Dismantling of pump voids warranty.** Servicing of pump other than simple cleaning of pump inlet or impeller should be referred to the factory or its authorized service centers.

NOTE: The manufacturer assumes no responsibility for damage or injury due to disassembly in the field.

PUMP DOES NOT RUN OR HUM.

1. Line circuit breaker may be off, tripped or loose. Have certified electrician check fuse or breaker.
2. Water level in pit may be too low to activate switch. Add more water to pit.
3. Plug on power cord may not be making contact in receptacle. Check security and connection.
4. If the pump is using the series (piggyback) cord plug, the plugs may not be connected tightly together.
5. Float may be obstructed. Make sure float is free and not interfering with the pit wall or other obstruction.
6. If all symptoms check OK, the motor winding may be open. Consult factory.

PUMP RUNS OR HUMS BUT DOES NOT DELIVER WATER.

1. Check valve may be installed backwards or is defective. Check to make sure it is installed properly and flapper in valve is free to move.
2. Discharge line may be blocked or frozen. Check to see if line passes through cold areas or is blocked.
3. Pump may be air-locked. Make sure that an anti-airlock hole was drilled in discharge pipe. Submersible models are factory equipped with a bleed hole already in base of pump. Ensure that this hole is not plugged.
4. Vertical lift may be beyond pumps capability. See chart below for your pump's maximum lift capability.

NOTE: At the pump's maximum lift there will be no flow.

MODEL	MAX. LIFT
101	17'
230-Series	21'
240-Series	20'
450-Series	34'

5. Check to see if inlet screen of pump is plugged or the impeller is jammed. Remove the pump screen and clean inlet and impeller as needed.
6. Pump Impeller may be jammed. Check for foreign material such as construction debris, stones, etc. that might be preventing the impeller from rotating. Reminder: Make sure pump is disconnected from power source before checking inlet and impeller area.

PUMP RUNS AND REMOVES WATER BUT DOES NOT SHUT OFF.

1. Float is stuck in the "on" position. Check to make sure the float is free to move up and down without obstruction.
2. Switch may be defective. Consult factory.

PUMP RUNS BUT DELIVERS VERY LITTLE WATER.

1. Vertical lift is approaching the pump's maximum lift capability. Refer to the above maximum lift chart above.
2. Pump's inlet is partially blocked. Check to make sure the inlet is clear of debris.
3. Discharge line is partially blocked. Check line for blockage.
4. Check valve is not opening all the way. Check for defective, reversed, or blocked check valve.

CIRCUIT BREAKER TRIPS OR FUSE BLOWS WHEN PUMP STARTS.

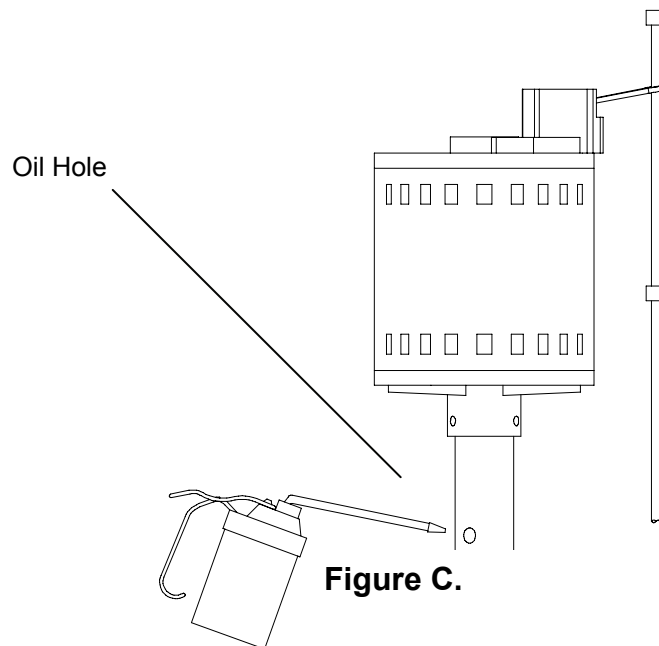
1. Fuse or breaker size is too small. A 15-amp breaker should be used.
2. Other major appliances are on the same circuit. Pump should be on its own circuit.
3. Pump is connected to an extension cord or wiring is inadequate. Have an electrician check for proper wiring.
4. Motor or switch may be defective. Consult factory.

PUMP SPRAYS WATER FROM SIDE OF HOUSING.

1. This is normal due to factory drilled air-bleed hole and is not cause for concern.

5. Maintenance

1. **Submersible Models:** Submersible pump models have sealed permanently lubricated bearings and require no additional lubrication.
2. **Pump should be checked frequently for debris and/or build up which may interfere with pump or float switch operation.** The float must be able to move freely through its complete travel without any restrictions. Pour enough water into the sump to activate the pump periodically (at least every 3 months) when not normally in use to verify proper function.
3. **Pedestal Models:** Pedestal sump pumps have open, exposed motors. Take precautions to make sure the motor does not get wet from dripping pipes etc. Pour an ounce of 20 or 30-weight oil into the hole near the top of the pedestal column every 6 months. A label next to the hole designates where to add the oil. See figure C. Pour enough water into the sump pit to activate the pump periodically (at least every 3 months) when not normally in use. Check periodically to make sure the pit is free from accumulated debris, rocks or other objects that may potentially jam the pump.



6. 2 Year Limited Warranty

Liberty Pumps, Inc. warrants that pumps of its manufacture are free from all factory defects in material and workmanship for a period of 2 years from the date of purchase. The date of purchase shall be determined by a dated sales receipt noting the model and serial number of the pump. The dated sales receipt must accompany the returned pump if the date of return is more than 2 years from the "CODE" (date of manufacture) number noted on the pump nameplate.

The manufacturer's obligation under this Warranty shall be limited to the repair or replacement of any parts found by the manufacturer to be defective, provided the part or assembly is returned freight prepaid to the manufacturer or its authorized service center, and provided that none of the following warranty-voiding characteristics are evident.

The manufacturer shall not be liable under this Warranty if the product has not been properly installed; if it has been disassembled, modified, abused or tampered with; if the electrical cord has been cut, damaged or spliced; if the pump discharge has been reduced in size; if the pump has been used in water temperatures above the advertised rating, or water containing sand, lime, cement, gravel or other abrasives; if the product has been used to pump chemicals or hydrocarbons; if a non-submersible motor has been subjected to excessive moisture; or if the label bearing the serial, model and code number has been removed. Liberty Pumps, Inc. shall not be liable for any loss, damage or expenses resulting from installation or use of its products, or for consequential damages, including costs of removal, reinstallation or transportation.

There is no other express warranty. All implied warranties, including those of merchantability and fitness for a particular purpose, are limited to two years from the date of purchase.

This Warranty contains the exclusive remedy of the purchaser, and, where permitted, liability for consequential or incidental damages under any and all warranties are excluded.



7000 Apple Tree Avenue
Bergen, NY 14416
Phone: (800) 543-2550
Fax: (585) 494-1839
www.libertypumps.com

Para bombas de drenaje de pedestal y sumergibles

*No tire ni pierda este manual. Manténgalo junto a la instalación y consúltelo a menudo.

Modelos de pedestal 1/3 HP

101 Hierro fundido

Modelos sumergibles 1/4 HP

Serie 240...Hierro fundido

- 240 Manual
- 241 Flotador de ángulo ancho
- 243 Flotador de ángulo ancho con tapón en serie
- 247 Flotador vertical

Modelos sumergibles 1/3 HP

Serie 230...Polialuminio

- 230 Manual
- 231 Flotador de ángulo ancho
- 233 Flotador de ángulo ancho con tapón en serie
- 237 Flotador vertical

Modelos sumergibles 1/2 HP

Serie 450...Polialuminio

- 450 Manual
- 451 Flotador de ángulo ancho
- 453 Flotador de ángulo ancho con tapón en serie
- 457 Flotador vertical



IMPORTANTE:

Apunte el modelo, el número de serie y el código que aparecen en la placa de la bomba antes de instalarla para que le sirvan de referencia en el futuro.

MODELO _____

SERIE _____

CÓDIGO _____

FECHA DE
INSTALACIÓN _____



1. Información general para todos los modelos

Lea con atención estas instrucciones antes de instalar la bomba. Todas las bombas de Liberty se someten a pruebas en fábrica para garantizar un funcionamiento adecuado. Si se siguen estas instrucciones al pie de la letra, se eliminará la posibilidad de problemas potenciales de funcionamiento, proporcionando muchos años de servicio satisfactorio.

ADVERTENCIA

- **Riesgo de descarga eléctrica.** Desconecte la bomba siempre que vaya a moverla o a realizar algún ajuste.
- Sólo personal calificado podrá encargarse de instalar las conexiones y cables eléctricos necesarios para montar la bomba.
- Esta unidad viene con un conector a tierra y un enchufe con conexión a tierra. Para evitar descargas eléctricas, conecte la bomba a un tomacorriente a tierra de 15 amperios debidamente conectado a tierra.
- Cuando haya agua en el piso y deba desenchufar la bomba, siempre use botas de hule.
- NO derive los cables de puesta a tierra ni retire las espigas a tierra de los enchufes.
- NO use cables de extensión.
- Con esta bomba, hay que utilizar un circuito derivado independiente, debidamente conectado a tierra y con fusibles. La fuente de alimentación tendrá que tener suficiente capacidad para cumplir los requisitos de voltaje y amperaje indicados en la placa de la bomba.
- El tomacorriente deberá encontrarse al alcance del cable de alimentación de la bomba y a 1.2 metros como mínimo por encima del piso para evitar problemas en caso de inundación.
- Se deberá instalar la unidad según las disposiciones del Código eléctrico nacional (NEC) y los Códigos de plomería de Estados Unidos, además de todos los códigos y regulaciones locales que correspondan.
- Las bombas de drenaje y de alcantarillado a menudo manejan materiales capaces de provocar enfermedades. Use ropa protectora adecuada cuando trabaje en una bomba o una tubería usada.
- Nunca ingrese a una cubeta de bomba después que haya sido usada. Los sistemas de efluentes y de alcantarillado pueden emitir diferentes tipos de gases tóxicos.
- Manténgase alejado de la entrada de succión y de la salida de descargas. Para evitar lesiones, nunca inserte los dedos en la bomba mientras se encuentre conectada.
- NO use este producto para líquidos inflamables o corrosivos.
- NO use este producto en aplicaciones en las que el contacto humano con el fluido bombeado sea común (por ejemplo, piscinas, fuentes, etc.).
- NUNCA deseche por el drenaje materiales tales como solvente para pintura u otros químicos, ya que pueden llegar a atacar y dañar los componentes de la bomba y potencialmente causar que el equipo no funcione bien o deje de funcionar.

PRECAUCIÓN

- **NO utilice las bombas en agua con temperatura superior a los 140°F (60°C).**
- NO utilice las bombas con lodo, arena, cemento, aceite o químicos.
- NO modifique la bomba de ninguna manera.
- NO levante ni transporte la bomba por medio del cable eléctrico.
- NO retire ninguna etiqueta de la bomba o cables.
- Si la bomba se instala durante una construcción antes de que haya energía eléctrica disponible, se deberá proteger de la intemperie para evitar que el agua ingrese a través del enchufe, etc.

Herramientas necesarias:

- Llave para tubos
- Desarmador normal
- Sierra para metales (para reemplazar o quitar los tubos rígidos existentes.)

2. Sumidero de agua – Todos los modelos

1. No es recomendable que el sumidero de agua tenga un diámetro menor de 14 pulg. (35.5 cm). En el caso de bombas sumergibles equipadas con flotador vertical (modelos 237 y 247), un diámetro mínimo de 25.40 cm (10 plg.) es aceptable. Es preferible que el diámetro sea más grande, ya que de esta manera los ciclos de bombeo podrán ser más largos y se reducirá el número de veces que el interruptor tiene que entrar en funcionamiento. La profundidad del sumidero debe tener por lo menos 30.5 cm (12 plg.) por encima de la superficie sobre la que se apoya la bomba.
2. Si el sumidero no tiene un fondo cerrado, instale uno rígido y nivelado con hormigón armado o ladrillos. NO instale la bomba directamente sobre tierra, grava o escombros, ya que el rotor se puede desgastar en exceso y atascarse. “**The Brick**” (vendida por Liberty Pumps como pieza No. 4445000) es una plataforma estable premoldeada, diseñada para encajar en su bomba sumergible. La plataforma eleva la bomba 6 cm (2.5 plg.) sobre el fondo del sumidero, lo cual reduce la posibilidad de atascamiento por rocas o escombros. Para pedir el producto, contacte a su distribuidor local. Antes de instalar la bomba, quite todo escombros del fondo del sumidero. Es conveniente instalar una cubierta para el sumidero por motivos de seguridad y para evitar la entrada de objetos foráneos.

3. Instalación de la bomba para todos los modelos

1. **Retiro de la bomba antigua:**

⚠ ADVERTENCIA Desconecte la bomba del suministro eléctrico antes de manejarla.

Separe el tubo de descarga a nivel de la válvula de retención o de la unión. Si ni la válvula de retención ni la unión son parte del tubo de descarga existente, corte el tubo con una sierra para metales y quite la bomba. (Se necesitará instalar una unión o una válvula de retención a nivel de este corte.)

***NOTA:** El modelo 101 de la bomba del pedestal requiere armar el flotador, la barra y la guía. Encaje a presión la guía plástica en su posición con el pasador que tiene en el orificio central en la columna de la bomba. Inserte el extremo roscado de la barra del flotador hacia abajo por el orificio de la guía y fije la bola del flotador en el extremo roscado. Retire el tope superior de hule e inserte la barra por el orificio del brazo del interruptor. Vuelva a colocar el tope superior de hule por lo menos a 12 mm (½ plg.) del extremo de la barra.

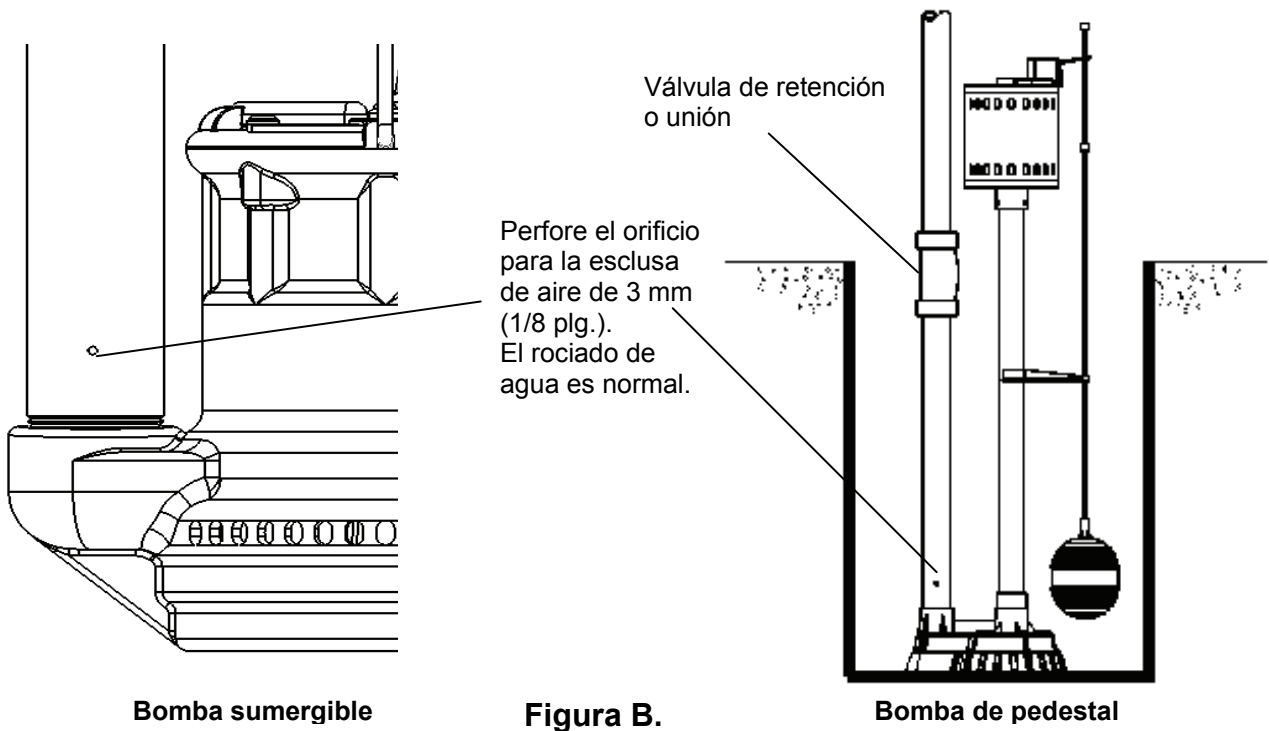
2. Coloque la nueva bomba en su lugar asegurándose de que el interruptor de flotador tenga suficiente espacio para moverse, sin que toque la pared del sumidero. El flotador deberá poder moverse **libremente a lo largo de todo su recorrido** y no hacer contacto con el cuerpo de la bomba, tubos u otros objetos.
3. Dependiendo del modelo, la bomba tiene un punto de descarga roscado de 1-1/4 plg. o 1-1/2 plg. para que se pueda conectar al tubo de descarga. (Vea la Figura A para consultar el tamaño de la descarga de su modelo específico.) No reduzca el tamaño de la descarga a menos de 1-1/4 pulg., ya que el hacerlo afectará el flujo y el funcionamiento de la bomba. Se recomienda una tubería de PVC 40, aunque se pueden usar mangueras flexibles de forma provisional.

MODELO	TAMAÑO DE LA DESCARGA
101	1-1/4 plg.
Serie 230	1-1/2 plg.
Serie 240	1-1/2 plg.
Serie 450	1-1/2 plg.

Figura A.

4. Conecte la tubería o la manguera de descarga a la bomba. **APRIETE LA CONEXIÓN SÓLO CON LA MANO.** Apretar de más puede provocar que la caja de la bomba se agriete.

5. Instale una unión u otro medio para separar la línea de descarga justo encima del nivel del piso en caso de que sea necesario desmontar la bomba. **Encima de la unión a o en su lugar, se recomienda instalar una válvula de retención para evitar el contraflujo del agua después de cada ciclo de bombeo.**
6. Si se usa una válvula de retención, **hay que perforar un orificio para la esclusa de aire de 3 mm (1/8 plg.) en la tubería de descarga justo encima de la salida de la descarga de la bomba para prevenir que se formen esclusas de aire en la bomba.**



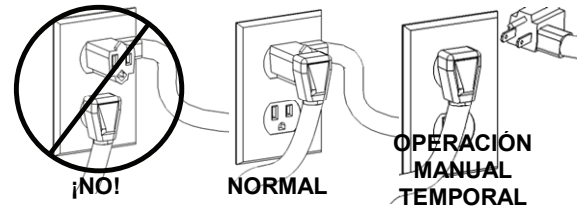
¿Mi bomba tiene una esclusa de aire? ¿Qué es un orificio para la esclusa de aire?

Esclusa de aire es un término que se usa para describir el caso en que se retiene aire en el área de la voluta o el rotor de una bomba y no puede eliminarse debido a que la columna de agua está por encima de la válvula de retención de la línea de descarga. Cuando se llena de agua el sumidero y se quiere arrancar la bomba, el rotor gira dentro de esa bolsa de aire y no puede cebarse. Cuando eso sucede, el síntoma consiste en que la bomba "funciona pero no bombea nada". Un orificio para esclusa de aire permite eliminar ese aire retenido, para que la bomba pueda cebarse y comenzar a bombear.

Liberty incluye un orificio para esclusa integral en la caja de la voluta de las bombas sumergibles. Cuando la bomba funciona, es normal que dicho orificio rocíe agua. La purga del aire podría tardar de algunos segundos hasta más de un minuto una vez que arranca la bomba. Para agilizar o facilitar la purga de aire en caso de haber esclusa de aire, se recomienda agregar un orificio de 3 mm (1/8 plg.) en la tubería de descarga. El diámetro de dicho orificio no debe superar los 3 mm (1/8 plg.) y tiene que perforarse a baja altura en la tubería, justo encima de la conexión roscada a la descarga de la bomba. Vea la Figura B más arriba.

7. Conecte extensiones de tubería adicionales según sea necesario para dirigir la descarga al punto deseado. La descarga debe ser lo más corto posible con un número de giros mínimo. Verifique todas las conexiones.
8. Para mayor protección, considere agregar una bomba de respaldo como la **SJ10 SumpJet de Liberty**, además de un sistema de alarma como el **ALM-2 de Liberty** en aplicaciones donde la pérdida de funcionamiento de la bomba pueda resultar en daños a la propiedad. Si se utiliza una alarma, se deberá conectar a un circuito eléctrico separado.

9. **Los modelos 243, 233 y 453** vienen equipados con un interruptor de flotador montado en la bomba misma. Este modelo cuenta con dos cables: uno al interruptor de flotador y el otro al motor. El cable del interruptor cuenta con un interruptor en serie, o cascada, en el que se puede conectar el cable del motor (vea la figura a la derecha). Esto permite la operación manual de la bomba durante un tiempo limitado.



10. **Para modelos manuales sumergibles:** Los modelos manuales (sin interruptor) se pueden operar conectándolos directamente a un tomacorriente eléctrico aprobado. Para evitar el desgaste excesivo de los sellos debido al sobrecalentamiento, no se deberá hacer funcionar las bombas en seco por periodos prolongados. Se recomienda un nivel mínimo de 11.4 cm (4-1/2 plg.) de agua. Si los modelos manuales se utilizan con un dispositivo de control opcional, siga las instrucciones incluidas con dicho control y haga las conexiones eléctricas de acuerdo con dichas instrucciones. Configure el nivel de apagado a 11.4 cm (4-1/2 plg.) o más.

4. Diagnóstico de problemas

⚠️ ADVERTENCIA

Desconecte la bomba siempre que vaya a moverla o a realizar algún ajuste. Esta guía está diseñada para ayudar a identificar las razones de posibles problemas de operación. Esto no es una guía de servicio. **Desmantelar la bomba anulará la garantía.** Cualquier otro tipo de servicio a la bomba, aparte de la simple limpieza de la entrada o del impulsor, deberá referirse al fabricante o a sus centros de servicio autorizados.

NOTA: El fabricante no asume ninguna responsabilidad por daños o lesiones resultantes por desarmar la bomba en el campo.

LA BOMBA NO FUNCIONA NI ZUMBA.

1. El disyuntor de línea puede estar desactivado, haberse activado o está suelto. Pida a un electricista certificado que revise el fusible o el disyuntor.
2. El nivel del agua en el sumidero puede estar demasiado bajo para activar el interruptor. Agregue más agua al sumidero.
3. El enchufe del cable eléctrico puede no estar haciendo contacto en el tomacorriente. Verifique la seguridad y la conexión.
4. Si la bomba usa un enchufe de cable en cascada, los enchufes no se deberán conectar apretadamente.
5. El flotador puede estar obstruido. Asegúrese de que el flotador pueda moverse libremente y que no esté interfiriendo con la pared del sumidero u otro obstáculo.
6. Si todos los síntomas están bien, el devanado del motor puede estar abierto. Consulte con el fabricante.

LA BOMBA FUNCIONA O ZUMBA, PERO NO EXTRAE AGUA.

1. La válvula de retención puede estar instalada al revés o está defectuosa. Verifique la válvula para asegurarse de que esté instalada de manera adecuada y que los tapones puedan moverse libremente.
2. La línea de descarga puede estar bloqueada o congelada. Compruebe si la línea pasa a través de zonas frías o si está bloqueada.
3. La bomba puede tener una esclusa de aire. Compruebe que se haya perforado un orificio para esclusa de aire en la tubería de descarga. Los modelos sumergibles vienen equipados de fábrica con una purga de aire en la base de la bomba. Verifique que dicho orificio no esté obstruido.
4. La elevación vertical puede estar más allá de la capacidad de la bomba. Vea la tabla de abajo para identificar la máxima capacidad de elevación de su bomba.

NOTA: No habrá flujo al nivel máximo de elevación de la bomba.

MODELO	MÁX. ELEVACIÓN
101	5.18 m (17 pies)
Serie 230	6.40 m (21 pies)
Serie 240	6.10 m (20 pies)
Serie 450	10.36 m (34 pies)

5. Verifique si la entrada de la bomba está obstruida o si el rotor está atascado. Extraiga la malla de la bomba y limpie la entrada y el rotor según se necesite.
6. El impulsor de la bomba puede estar atascado. Verifique que no haya materiales extraños como escombros, piedras, etc., que puedan evitar que el impulsor gire. Recordatorio: Antes de revisar el área de la entrada y el rotor, compruebe que la bomba esté desconectada de la fuente de alimentación.

LA BOMBA FUNCIONA Y EXTRAE AGUA, PERO NO SE APAGA.

1. El flotador está atorado en la posición "ON". Verifique para asegurarse de que el flotador pueda subir y bajar libremente sin obstrucciones.
2. El interruptor puede estar defectuoso. Consulte al fabricante.

LA BOMBA FUNCIONA PERO EXTRAE MUY Poca AGUA.

1. La elevación vertical se aproxima a la máxima capacidad de elevación de la bomba. Consulte la tabla de elevaciones máximas de arriba.
2. La entrada de la bomba se encuentra parcialmente bloqueada. Verifique para asegurarse de que la entrada esté libre de residuos.
3. La línea de descarga está parcialmente bloqueada. Verifique que no haya bloqueos en la línea.
4. La válvula de retención no se abre completamente. Verifique que la válvula de retención no esté defectuosa, invertida ni bloqueada.

EL DISYUNTOR SE DISPARA O EL FUSIBLE SE FUNDE CUANDO LA BOMBA SE ENCIENDE.

1. El tamaño del fusible o del disyuntor es demasiado pequeño. Se debe utilizar un disyuntor de 15 amp.
2. Hay otros electrodomésticos conectados al mismo circuito. La bomba deberá estar conectada a un circuito exclusivo.
3. La bomba está conectada a una extensión eléctrica o el cableado es inadecuado. Haga que un electricista verifique el cableado correcto.
4. El motor o el interruptor podría estar defectuoso. Consulte al fabricante.

LA BOMBA ROCÍA AGUA POR EL LADO DE LA CARCASA.

1. Eso es normal debido al orificio de purga instalado de fábrica y no debe ser motivo de preocupación.

5. Mantenimiento

1. **Modelos sumergibles:** Los modelos de bombas poseen cojinetes permanentemente lubricados y no necesitan lubricación adicional.
2. **La bomba deberá ser revisada a menudo para detectar escombros y/o acumulaciones que puedan interferir con la operación de la bomba o del interruptor de flotador.** El flotador debe ser capaz de moverse libremente a lo largo de todo su recorrido sin restricción alguna. Para asegurar el funcionamiento adecuado, vierta suficiente agua en el sumidero para activar la bomba periódicamente (por lo menos una vez cada tres meses) cuando no se utilice la bomba de manera frecuente.
3. **Modelos de pedestal:** Las bombas de sumidero de pedestal tienen motores abiertos y expuestos. Tome precauciones para que el motor no se moje a causa de tuberías que gotean, etc. Vierta 30 cc (1 oz fl) de aceite tipo 20W o 30W dentro del orificio cerca de la parte superior de la columna del pedestal cada 6 meses. Junto al orificio hay una etiqueta que indica dónde agregar el aceite. Vea la Figura C. Vierta suficiente agua en el sumidero para activar la bomba periódicamente (por lo menos una vez cada tres meses) cuando no se utilice la bomba de manera frecuente. Revise el sumidero periódicamente para cerciorarse de que no haya escombros, rocas u otros objetos acumulados que podrían llegar a atascar la bomba.

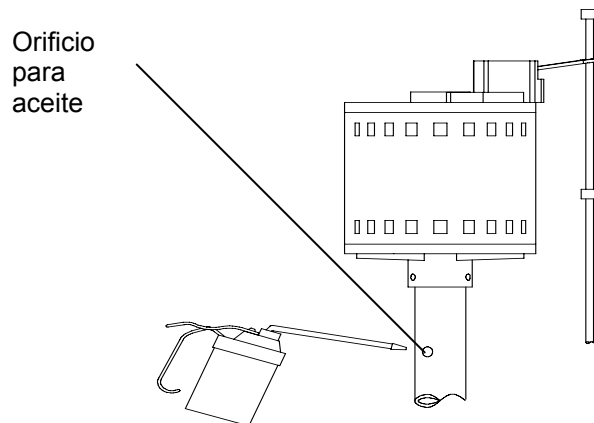


Figura C.

6. Garantía limitada de 2 años

Liberty Pumps, Inc. garantiza que las bombas que fabrica están libres de defectos de materiales y mano de obra por un período de 2 años a partir de la fecha de compra. La fecha de compra se determinará con el recibo de compra fechado, que incluya el modelo y el número de serie de la bomba. Este recibo deberá acompañar a la bomba si la fecha de devolución ocurre más de 2 años después de la fecha de fabricación (código-CODE) indicada en la placa de la unidad.

Las obligaciones del fabricante bajo esta garantía se limitarán a la reparación o el reemplazo de las piezas que el fabricante determine que son defectuosas, siempre que la pieza o el ensamblaje, se devuelva con el porte pagado al fabricante o a uno de sus centros de servicio autorizados y que no se evidencie ninguna de las siguientes características, lo que supondría la anulación de la garantía.

El fabricante no tendrá obligación alguna bajo esta garantía si el producto no ha sido instalado correctamente; si ha sido desmontado, modificado, abusado o forzado; si el cordón eléctrico se ha cortado, dañado o empalmado; si se redujo el tamaño de la descarga de la bomba; si la bomba se usó con agua más caliente de la temperatura nominal, o agua con arena, cal, cemento, grava u otros elementos abrasivos; si se utilizaron productos químicos para bombas o hidrocarburos; si un motor no sumergible fue sometido a un exceso de humedad; o si se retiró la etiqueta con el número de serie y de código. Liberty Pumps, Inc. no se hace responsable de pérdidas, daños o gastos que resulten por la instalación o uso de sus productos, o por daños emergentes, incluidos los costos de desmontar, reinstalar o transportar la unidad.

No se ofrece ninguna otra garantía expresa. Todas las garantías implícitas, incluidas las de comerciabilidad y adecuación para un propósito determinado, están limitadas a un plazo de dos años a partir de la fecha de compra.

Esta garantía representa el único remedio del comprador y, siempre que se permita, se excluye toda responsabilidad por daños emergentes y fortuitos bajo toda otra garantía.



7000 Apple Tree Avenue
Bergen, NY 14416
Teléfono: (800) 543-2550
Fax: (585) 494-1839
www.libertypumps.com

Pour pompe d'assèchement sur colonne ou submersibles

*Ne pas jeter ni perdre ce manuel. Conserver à proximité de l'installation et consulter souvent.

Modèle sur colonne 1/3 hp

101 Fonte

Modèles submersibles 1/4 hp

Série 240...Fonte

240 Manuelle

241 Flotteur à grand angle

243 Flotteur à grand angle et connecteur en série

247 Flotteur vertical

Modèles submersibles 1/3 hp

Série 230...Poly/aluminium

230 Manuelle

231 Flotteur à grand angle

233 Flotteur à grand angle et connecteur en série

237 Flotteur vertical

Modèles submersibles 1/2 hp

Série 450...Poly/aluminium

450 Manuelle

451 Flotteur à grand angle

453 Flotteur à grand angle et connecteur en série

457 Flotteur vertical



IMPORTANT :

Avant l'installation, noter les numéros de modèle, de série et de code qui figurent sur la plaque signalétique pour éventuellement s'y référer.

MODÈLE _____

SÉRIE _____

CODE _____

DATE
D'INSTALLATION _____



1. Renseignements généraux : tous les modèles

Lire attentivement les directives avant d'effectuer l'installation. Chaque pompe de marque Liberty est testée individuellement en usine pour assurer son bon fonctionnement. Le fait de suivre ces directives à la lettre éliminera les risques de problèmes de fonctionnement et assurera des années de fonctionnement sans soucis.

MISE EN GARDE

- **Danger d'électrocution.** Toujours débrancher la pompe de l'alimentation électrique avant de la manipuler ou d'y effectuer des réglages.
- Les raccords électriques et le câblage pour l'installation de la pompe ne devraient être effectués que par des professionnels qualifiés.
- Cette pompe est fournie avec un conducteur de mise à la terre et une fiche de branchement de type mise à la terre. Afin de réduire les dangers d'électrocution, s'assurer que celle-ci est raccordée seulement à une prise de 15 ampères correctement mise à la terre.
- Toujours porter des bottes de caoutchouc lorsqu'il y a de l'eau sur le plancher et qu'il est nécessaire de débrancher la pompe.
- NE PAS dévier les fils de mise à la terre ou retirer la broche de mise à la terre des fiches de branchement.
- NE PAS utiliser de rallonge.
- Cette pompe nécessite un circuit de dérivation dédié correctement protégé par un fusible et mis à la terre. S'assurer que la tension et l'intensité du courant électrique de la source d'alimentation électrique sont suffisantes pour répondre aux exigences de la pompe, telles qu'indiquées sur la plaque signalétique.
- La prise électrique doit se trouver à la portée du cordon d'alimentation de la pompe et à au moins 1,2 m (4 pi) au-dessus du niveau du plancher pour minimiser les dangers possibles pouvant être causés par une inondation.
- L'installation doit être faite en respectant le Code national de l'électricité, le Uniform Plumbing Code, le Code international de plomberie ainsi que tous les codes locaux et règlements en vigueur.
- Les pompes d'assèchement et de système d'égout traitent souvent des matières pouvant causer des maladies. Porter des vêtements protecteurs adéquats pour manipuler une pompe ou de la tuyauterie ayant déjà servi.
- Ne jamais pénétrer dans le réservoir de pompage après qu'il ait servi. Les égouts et effluents peuvent émettre des gaz toxiques.
- Demeurer à l'écart des ouvertures d'aspiration et d'évacuation. Afin de prévenir les blessures, ne jamais insérer les doigts dans la pompe alors qu'elle est branchée.
- NE PAS utiliser ce produit pour pomper des liquides inflammables ou corrosifs.
- NE PAS utiliser ce produit pour les installations où le contact humain avec les liquides pompés est fréquent (piscines, fontaines, etc.)
- NE JAMAIS disposer de matériaux comme du solvant à peinture ou d'autres produits chimiques en les vidant dans l'avaloir, car ils peuvent attaquer chimiquement et endommager les composants de la pompe, causant éventuellement son mauvais fonctionnement ou sa défaillance.

AVERTISSEMENT

- **Ne pas utiliser ces pompes dans de l'eau dont la température est supérieure à 60 °C (140 °F)**
- NE PAS utiliser de pompes avec de la boue, du sable, du ciment, du pétrole ou d'autres produits chimiques.
- NE PAS modifier les pompes, de quelque manière que ce soit.
- NE PAS soulever ou transporter la pompe par son cordon électrique.
- NE PAS retirer les étiquettes de la pompe ou des cordons.
- Si la pompe est installée durant la construction, avant que l'alimentation électrique ne soit disponible, il est important de la garder à l'abri afin d'empêcher que de l'eau ne pénètre par l'extrémité du cordon électrique, etc.

Outils nécessaires :

- clé à tuyau;
- tournevis ordinaire;
- scie à métaux (pour remplacer ou retirer le tuyau rigide existant.)

2. Puisard : tous les modèles

1. On recommande l'utilisation d'un puisard dont le diamètre est d'au moins 35,6 cm (14 po). Dans le cas de pompes submersibles munies d'un flotteur vertical (modèles 237 et 247), un puisard d'un diamètre d'au moins 25 cm (10 po) est acceptable. Un diamètre supérieur est recommandé, car il permet de plus longs cycles de fonctionnement de la pompe, et réduit le fonctionnement de l'interrupteur. Le puisard devrait avoir une profondeur d'au moins 30,5 cm (12 po) au-dessus de la surface où repose la pompe.
2. Si le puits n'est pas déjà fermé au bas, fournir une base solide et au niveau en brique ou en béton. NE PAS placer la pompe directement sur de la terre, du gravier ou des débris susceptibles de causer une usure prématurée du rotor et même de le bloquer. « **The Brick** » (vendu par Liberty Pumps, pièce n° 4445000) est une plateforme prémoulée stable conçue pour l'installation de votre pompe submersible. Elle soulève la pompe de 6,35 cm (2,5 po) du fonds du puisard, réduisant ainsi les risques d'obstruction causée par les cailloux et les débris. Communiquer avec le distributeur local pour commander. Retirer tous les débris du fond du puisard avant l'installation de la pompe. On suggère l'installation d'un couvercle de puisard pour plus de sécurité et empêcher que des corps étrangers tombent dans le puits.

3. Installation de la pompe : tous les modèles

1. **Retrait de l'ancienne pompe :**



Débrancher la pompe de sa source d'alimentation électrique avant d'en effectuer la manipulation.

Séparer le tuyau d'évacuation vis-à-vis du clapet antiretour ou du raccord union. Si le tuyau d'évacuation en place ne comprend ni clapet antiretour ni raccord union, couper le tuyau avec une scie à métaux et retirer la pompe (il sera nécessaire d'installer un clapet antiretour ou un raccord union à l'endroit de cette coupure).

***REMARQUE :** Le modèle 101 de pompe de piédestal exige le montage du flotteur, de la tige et du guide. Enclencher le guide de plastique en place avec la goupille située dans l'orifice central de la colonne de la pompe. Insérer l'extrémité filetée de la tige du flotteur dans l'orifice du guide et fixer le ballon du flotteur à l'extrémité filetée. Retirer le butoir de caoutchouc supérieur et insérer la tige dans l'orifice du levier de l'interrupteur. Replacer le butoir de caoutchouc à au moins 13 mm de l'extrémité de la tige.

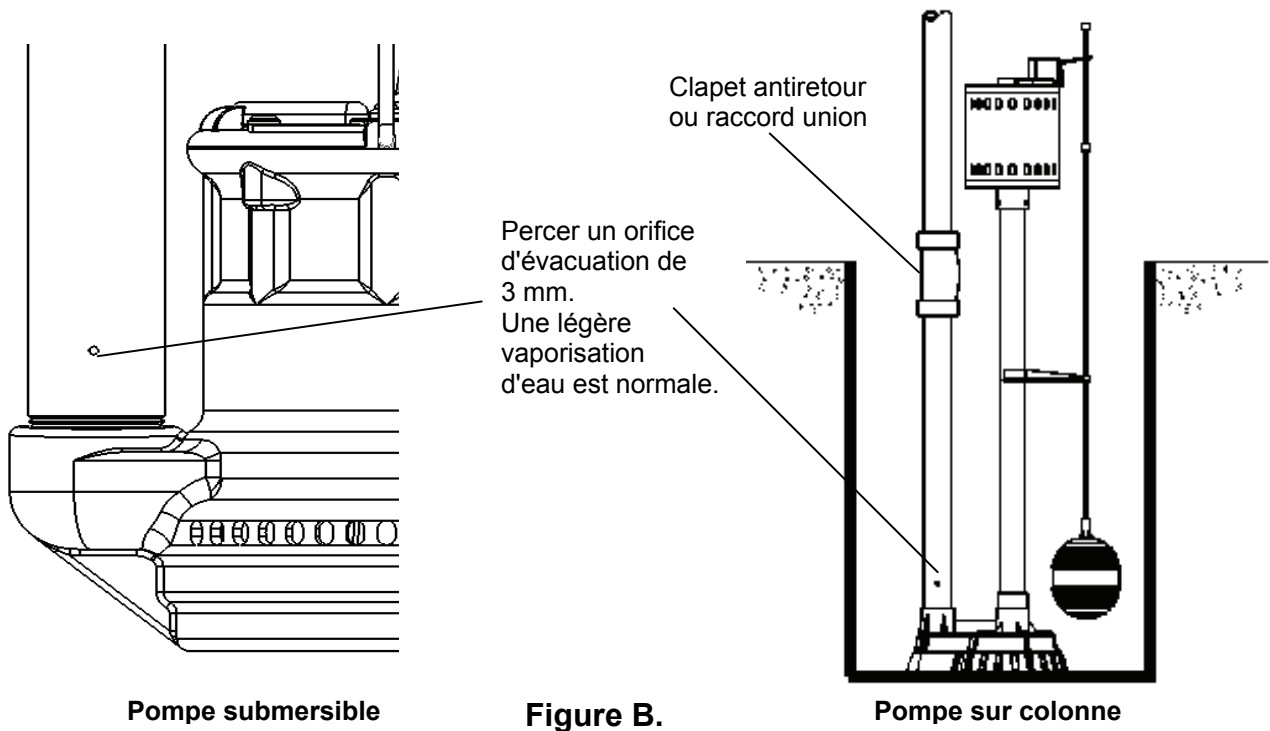
2. Mettre la nouvelle pompe en place en s'assurant que l'interrupteur ait suffisamment de dégagement et ne risque pas de s'accrocher à la paroi latérale du puisard. Le flotteur doit pouvoir **se déplacer librement sur tout son parcours**, sans contact avec le corps de la pompe, la tuyauterie ou tout autre objet.
3. Selon le modèle, un raccord d'évacuation fileté de 1¼ po ou 1½ po est fourni sur la pompe pour raccorder le tuyau d'évacuation. (Voir la [figure A](#) pour connaître la dimension de la sortie de chaque modèle particulier). Ne pas installer de tuyau d'évacuation d'un diamètre inférieur à 1½ po, car cela risque de nuire au débit et au rendement de la pompe. Il est recommandé d'utiliser du tuyau de PVC de nomenclature 40; cependant, on peut utiliser un ensemble de tuyau d'évacuation souple pour les installations temporaires.

MODÈLE	DIMENSION DE LA SORTIE
101	1¼ po
Série 230	1½ po
Série 240	1½ po
Série 450	1½ po

Figure A.

4. Raccorder le tuyau d'évacuation temporaire ou permanent à la sortie filetée de la pompe. **RESSERRER À LA MAIN SEULEMENT.** Trop serrer peut endommager le boîtier de la pompe.

5. Installer un raccord union ou autre dispositif permettant de séparer la canalisation d'évacuation juste au-dessus du plancher, pour faciliter le retrait de la pompe si nécessaire. **On recommande l'installation d'un clapet antiretour après le raccord union ou à sa place afin de prévenir le refoulement du liquide après chaque cycle de la pompe.**
6. Lorsqu'on utilise un clapet antiretour, **il est recommandé de percer un orifice d'évacuation de 3 mm (1/8 po) dans le tuyau d'évacuation, juste au-dessus de la sortie de la pompe, afin de prévenir la formation de poches d'air.**



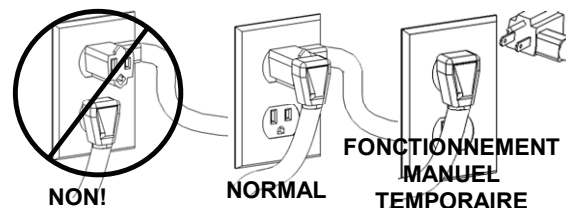
La pompe est-elle bloquée par une poche d'air? Qu'est-ce qu'un orifice d'évacuation?

Une poche d'air est un terme servant à décrire ce qui se produit lorsque de l'air est coincé dans la zone de la volute/du rotor d'une pompe et ne peut s'échapper en raison du volume d'eau présent au-dessus du clapet antiretour de la canalisation d'évacuation. Lorsque le puisard est rempli d'eau et que la pompe est activée, le rotor tourne dans cette poche d'air et ne peut s'amorcer. « La pompe fonctionne, mais ne pompe rien du tout » est le symptôme de ce phénomène. Un orifice d'évacuation permet à cet air emprisonné de s'échapper, permettant l'amorçage de la pompe qui se mettra à pomper.

Liberty fournit un orifice d'évacuation intégré dans le boîtier de la volute des pompes submersibles. Une légère vaporisation d'eau de cet orifice est normale lorsque la pompe fonctionne. La purge de l'air peut prendre de plusieurs secondes à une minute une fois que la pompe se met en marche. Pour accélérer ou favoriser l'expulsion de l'air en cas de poche d'air, l'ajout d'un orifice d'évacuation de 3 mm (1/8 po) dans la conduite d'évacuation est recommandé. Le diamètre de cet orifice ne doit pas dépasser 3 mm (1/8 po) et il doit être percé au bas du tuyau, juste au-dessus du raccordement fileté de la sortie de la pompe. Voir la figure 1 B ci-dessus.

7. Raccorder, au besoin, un tuyau supplémentaire pour diriger l'évacuation à l'endroit désiré. La conduite d'évacuation devrait être la plus courte possible et comporter un nombre minimum de virages. Vérifier l'étanchéité de tous les joints des raccords.
8. Pour plus de protection, envisager l'ajout d'une pompe de secours, comme une pompe d'assèchement Liberty SJ10, ainsi que d'une alarme, comme le modèle Liberty ALM-2, pour les installations où une panne de la pompe risque de causer des dommages matériels. Lorsqu'une alarme est utilisée, elle doit être raccordée à un circuit électrique distinct.

9. **Les modèles 243, 233 et 453** sont munis d'un interrupteur à flotteur fixé à la pompe en usine. Ce modèle est muni de deux cordons : l'un relié à l'interrupteur à flotteur et l'autre au moteur de la pompe. Le cordon de l'interrupteur est muni d'un connecteur en série (siamois) permettant de brancher le cordon de la pompe (moteur) sur son dos (voir fig. à droite). Ce système a pour but de permettre le fonctionnement manuel temporaire de la pompe, si désiré.



10. **Modèles manuels submersibles** : on peut mettre en marche les modèles manuels (sans interrupteur) en les branchant directement dans une prise électrique approuvée. Afin de prévenir l'usure excessive des joints d'étanchéité et la surchauffe, les pompes ne doivent pas fonctionner à vide pendant de longues périodes. Un minimum de 11,4 cm (4½ po) d'eau est recommandé. Si les pompes manuelles doivent fonctionner avec un dispositif de commande facultatif, suivre les directives d'installation fournies avec le dispositif de commande et faire les raccordements selon ce qui est recommandé. Régler le niveau d'arrêt à 11,4 cm (4½ po) d'eau ou plus.

4. Dépannage



MISE EN GARDE

Toujours débrancher la pompe de sa source d'alimentation électrique avant de la manipuler. Ce guide sert à aider à identifier les causes de problèmes de fonctionnement éventuels. Ce n'est pas un guide d'entretien. **Le démontage de la pompe annulera la garantie.** L'entretien de la pompe pour effectuer des travaux autres que d'en nettoyer l'entrée ou le rotor doit être confié au fabricant ou à ses centres d'entretien autorisés.

REMARQUE : Liberty Pumps, Inc. n'est pas responsable des dommages ou blessures résultant d'un démontage sur le terrain.

LA POMPE NE FONCTIONNE PAS ET NE GRONDE PAS.

1. Le disjoncteur est fermé, sauté ou desserré. Demander à un électricien agréé de vérifier le fusible ou le disjoncteur.
2. Le niveau de l'eau du puisard est trop bas pour activer l'interrupteur. Ajouter de l'eau dans le puisard.
3. Le contact ne se fait peut-être pas entre le cordon d'alimentation et la prise. Vérifier la sécurité et les raccords.
4. Si la pompe fonctionne avec connecteur en série (siamois), les fiches ne sont peut-être pas bien branchées.
5. Le flotteur est peut-être bloqué. S'assurer que le flotteur bouge librement et ne touche pas à la paroi du puisard ni à tout autre obstacle.
6. Si toutes les vérifications de symptômes sont conformes, le bobinage du moteur peut être ouvert. Consulter le fabricant.

LA POMPE TOURNE OU GRONDE, MAIS NE POMPE PAS D'EAU.

1. Le clapet antiretour est peut-être installé à l'envers ou défectueux. Vérifier pour s'assurer qu'elle est bien installée et que le clapet de la soupape bouge librement.
2. La canalisation d'évacuation peut être bloquée ou gelée. Vérifier si la canalisation d'évacuation traverse des zones froides ou si elle est bloquée.
3. La pompe est peut-être bloquée par une poche d'air. S'assurer qu'un orifice d'évacuation a été percé dans la conduite d'évacuation. Les pompes submersibles sont munies en usine d'un orifice d'évacuation de l'air situé à la base de la pompe. S'assurer que cet orifice n'est pas bouché.
4. La charge ascensionnelle dépasse peut-être la capacité de la pompe. Consulter le tableau ci-dessous pour connaître la charge ascensionnelle maximum de la pompe.

REMARQUE : lorsque la charge ascensionnelle maximum est atteinte, il n'y a plus de débit.

MODÈLE	HAUTEUR MAXIMUM
101	5,2 m (17 pi)
Série 230	6,4 m (21 pi)
Série 240	6,1 m (20 pi)
Série 450	10,4 m (34 pi)

5. Vérifier si le filtre d'aspiration de la pompe est bouché ou le rotor est bloqué. Retirer le filtre d'aspiration de la pompe et nettoyer l'entrée et le rotor, au besoin.
6. Le rotor de la pompe peut être bloqué. Vérifier la présence de corps étrangers comme des débris de construction, des pierres, etc. susceptibles d'empêcher le rotor de tourner. Rappel : toujours débrancher la pompe de sa source d'alimentation électrique avant d'en vérifier l'entrée ou le rotor.

LA POMPE TOURNE ET POMPE L'EAU, MAIS ELLE NE S'ÉTEINT PAS.

1. Le flotteur est bloqué en position de marche. S'assurer que le flotteur bouge librement de bas en haut.
2. L'interrupteur peut être défectueux. Consulter le fabricant.

LA POMPE TOURNE, MAIS NE POMPE QUE TRÈS PEU D'EAU.

1. La charge ascensionnelle est près de la limite maximum de la pompe. Consulter le tableau ci-dessus pour connaître la charge ascensionnelle maximum de la pompe ci-dessus.
2. L'entrée de la pompe est partiellement obstruée. Vérifier pour s'assurer que l'entrée ne contient pas de débris.
3. La canalisation d'évacuation est partiellement obstruée. Vérifier la canalisation d'évacuation pour s'assurer qu'il n'y a pas de blocage.
4. Le clapet antiretour ne s'ouvre pas complètement. S'assurer que le clapet antiretour n'est pas défectueux, à l'envers ou obstrué.

LE DISJONCTEUR SE DÉCLENCHE OU LE FUSIBLE SAUTE LORSQUE LA POMPE SE MET EN MARCHÉ.

1. La puissance du disjoncteur ou du fusible n'est pas suffisante. Un disjoncteur de 15 ampères est nécessaire.
2. D'autres appareils énergivores sont raccordés au même circuit. La pompe devrait avoir son circuit dédié.
3. La pompe est raccordée à une rallonge, ou le câblage est inadéquat. Demander à un électricien de vérifier le câblage.
4. Le moteur ou l'interrupteur peut être défectueux. Consulter le fabricant.

DE L'EAU EST VAPORISÉE À PARTIR DU CÔTÉ DU BOITIER DE LA POMPE.

1. C'est normal, car un orifice d'évacuation de l'air y a été percé en usine. Il n'y a pas lieu de s'inquiéter.

5. Entretien

1. **Modèles submersibles** : ces modèles de pompes sont munis de roulements à lubrification permanente qui ne nécessitent aucun graissage supplémentaire.
2. **Il est important de vérifier la pompe régulièrement, car la présence de débris ou de dépôts peut nuire au fonctionnement de la pompe ou de l'interrupteur à flotteur.** Le flotteur doit être en mesure de se déplacer librement sur tout son parcours, sans restriction. Verser suffisamment d'eau dans le puisard pour activer la pompe de temps en temps (au moins tous les 3 mois) afin d'en vérifier le fonctionnement lorsqu'elle ne fonctionne pas régulièrement.
3. **Modèles sur colonne** : le moteur des pompes d'assèchement sur colonne est ouvert et exposé. Prendre les précautions nécessaires pour s'assurer que le moteur n'est pas exposé à de l'eau qui dégoûte de tuyaux, etc. Verser 29 ml (1 oz) d'huile de calibre 20 ou 30 dans l'orifice près du sommet de la colonne à tous les 6 mois. Une étiquette à côté de l'orifice indique où ajouter l'huile. Voir figure C. Verser suffisamment d'eau dans le puisard pour activer la pompe de temps en temps (au moins tous les 3 mois) lorsqu'elle ne fonctionne pas régulièrement. Vérifier régulièrement pour s'assurer que le puisard ne renferme pas d'accumulation de débris, cailloux ou autres objets qui risquent de bloquer la pompe.

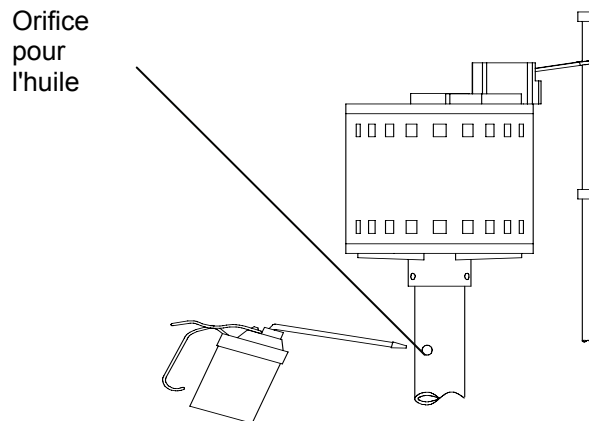


Figure C.

6. Garantie limitée de 2 ans

Liberty Pumps, Inc. garantit que les pompes sortant de son usine sont exemptes de tout défaut de matériau et de fabrication pour une période de 2 ans à partir de la date d'achat. La date d'achat sera établie par une facture d'achat datée indiquant les numéros de modèle et de série de la pompe. La pompe retournée doit être accompagnée de la facture d'achat datée si la date de retour se situe à plus de 2 ans du numéro de « CODE » (date de fabrication) indiqué sur la plaque signalétique de la pompe.

L'obligation de garantie du fabricant se limite à la réparation ou au remplacement de toute pièce jugée défectueuse par le fabricant, à condition que la pièce ou l'appareil soient retournés, franco de port, au fabricant ou à son centre d'entretien autorisé et à condition qu'il n'y ait aucune preuve que les critères suivants annulant la garantie sont en cause.

Le fabricant ne peut en aucun cas être tenu responsable, selon les dispositions de cette garantie, si le produit n'a pas été correctement installé; s'il a été démonté, modifié, soumis à un usage abusif ou endommagé; si le cordon électrique a été coupé, endommagé ou ligaturé; si la taille du tuyau d'évacuation de la pompe a été réduite; si la pompe a été utilisée pour pomper de l'eau d'une température supérieure aux recommandations ci-dessus ou de l'eau contenant du sable, de la chaux, du ciment, du gravier ou autres matières abrasives; si le produit a été utilisé pour pomper des produits chimiques ou des hydrocarbures; si un moteur non submersible a été exposé à de l'humidité excessive; ou si l'étiquette portant le numéro de série, de modèle et de code a été retirée. Liberty Pumps, Inc. ne pourra être tenue responsable des pertes, dommages, frais attribuables à l'installation ou l'utilisation de ses produits ni pour les dommages accessoires ou consécutifs, y compris les coûts de retrait, de réinstallation ou de transport.

Il n'y a aucune autre garantie expresse. Toute garantie implicite, y compris celles de qualité marchande et d'aptitude à une fin particulière, est limitée à deux ans à partir de la date d'achat.

Cette garantie contient le recours exclusif de l'acheteur et exclut, lorsque permis par la loi, toute responsabilité pour dommages consécutifs ou accessoires en vertu de toutes autres garanties.



7000, avenue Apple Tree
Bergen (NY) 14416
Téléphone : (800) 543-2550
Télécopieur : (585) 494-1839
www.libertypumps.com