

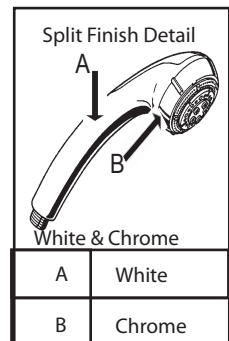
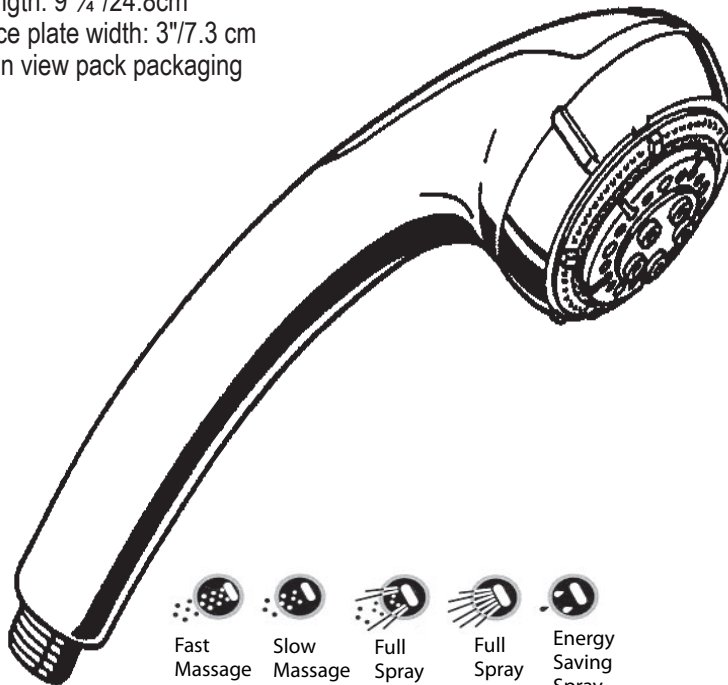


A MASCO Company
 Phone: (800) 421-0001
 Fax: (517) 439-9644
 Internet: www.alsons.com

Specifications

Massage Multi-Spray Hand Shower 435 Series

- Massage action or full spray hand shower
- Energy saving 2.5 GPM/9.5 LPM flow rate @ 80psi
- Engineering grade ABS plastic components
- 1/2-14 NPT connection point
- Designed and manufactured in accordance with ANSI A112.18.1M
- Canadian Standard Association Certified - B125-93
- Meets ASSE 1014 requirement of withstanding an operating supply pressure of 125 PSI (862kPA)
- Meets ASSE 1014 requirement of withstanding an operating temperature of 110° Fahrenheit (43.3° Celsius)
- Measurements:
 Length: 9 3/4"/24.8cm
 Face plate width: 3"/7.3 cm
- Available in view pack packaging



Finishes	Model Numbers
Polished Brass	435 2010 PK
Chrome	435 C PK
White and Chrome	435 WCPK
White	435 PK



Made in the USA
 Revised 2/06